

High-Capacity Tension/Compression Load Cell **LUK-S-30MN**

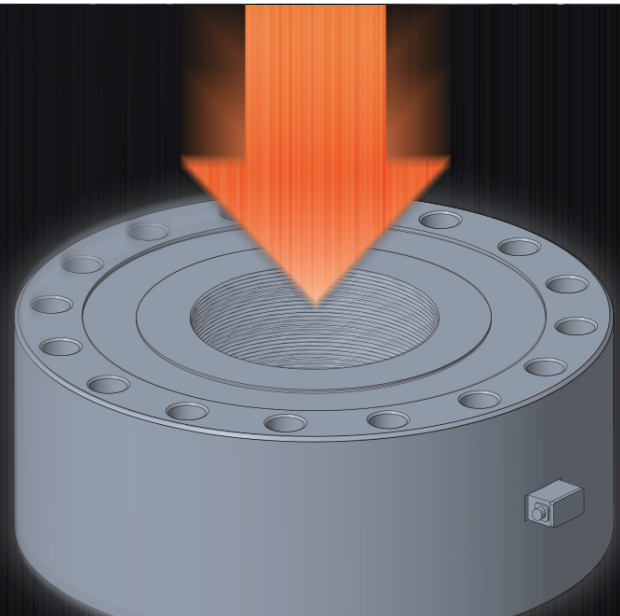
Standard Catalog Models
Up to 2 MN



LUK-S-30MN

Max. **30 MN***

*The 30 MN rating is for compression only.
The maximum capacity for tension is 10 MN.



Point 1 Maximum Capacity: 30 MN (approx. 3,000 tf)

- ▶ Achieves an ultra-high capacity—15 times greater than our standard 2 MN catalog maximum — in a single unit.

Point 2 Ultra-high capacity in a single unit

- ▶ Compared to multi-unit measurement systems, this single-unit design simplifies installation while improving both safety and operational efficiency.
- ▶ The center features a groove and threaded holes, allowing for direct mounting to jacks and other equipment.

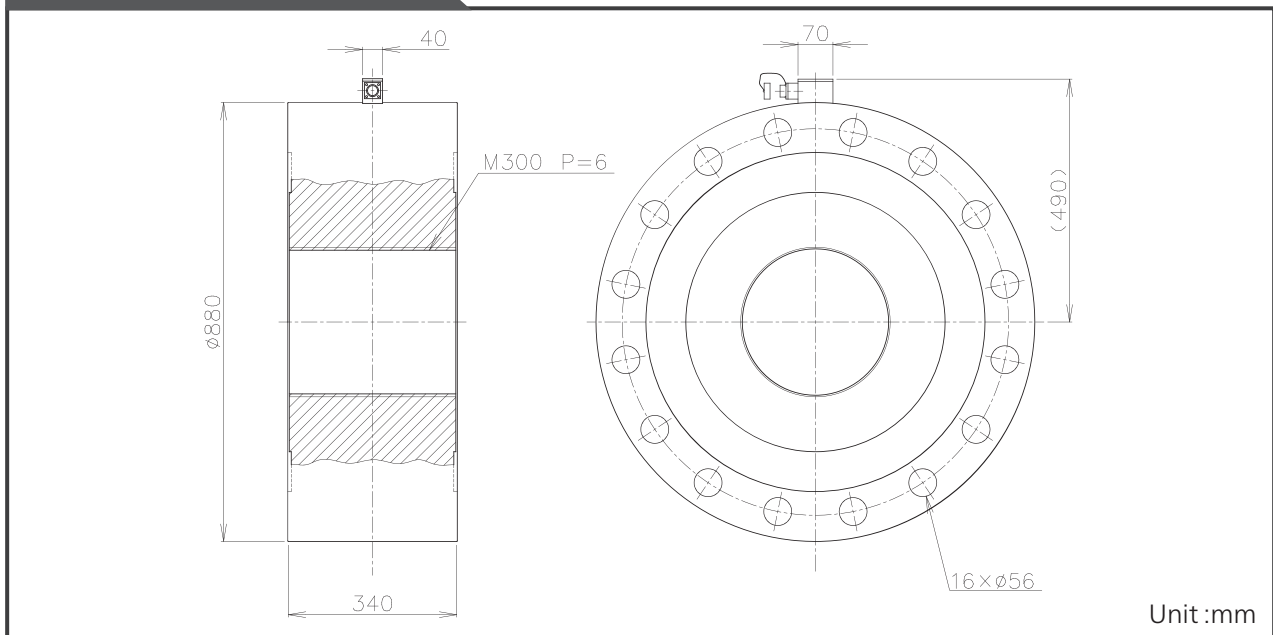
Point 3 Customization Available

- ▶ Regardless of the specifications listed above, we can provide custom-made solutions tailored to your specific application and operating environment. Please feel free to contact us for a consultation!

Specifications Example

Model	LUK-S-30MN	Safe Overloads	150%
Rated Capacity	Compression: 30 MN	Nonlinearity	Within ± 0.5 %RO
	Tension: 10 MN	Hysteresis	Within ± 0.5 %RO
Rated Output	2.0 mV/V $\pm 2\%$ (at 30 MN load)	Compensated Temperature	-10 to 70° C
		Safe Temperature	-20 to 80° C
		Weight	Approx. 1100 kg

Dimensions



»» Feel free to contact us !

KYOWA ELECTRONIC INSTRUMENTS CO., LTD.

Global Sales Department:
 3-5-1, Chofugaoka, Chofu, Tokyo 182-8520 Japan
 TEL: +81-42-489-7220 FAX: +81-42-488-1122
 E-mail: support-en@kyowa-ei.co.jp
 Website: www.kyowa-ei.com

Safety Precautions

Be sure to observe the safety precautions given in the instruction manual, in order to ensure correct and safe operation.

- Specifications and designs are subject to change without notice.
- Please contact us if using the detailed products for special applications.
- Detailed company and product names are the trademarks or registered trademarks of their respective owners.
- The warranty details can be found on the "Product Warranty" attached to the product and on our website.
- Unauthorized use or reproduction of contents of this catalog are prohibited.
- All dimensional drawings use "millimeters" as the standard unit. "mm" has been omitted for convenience.